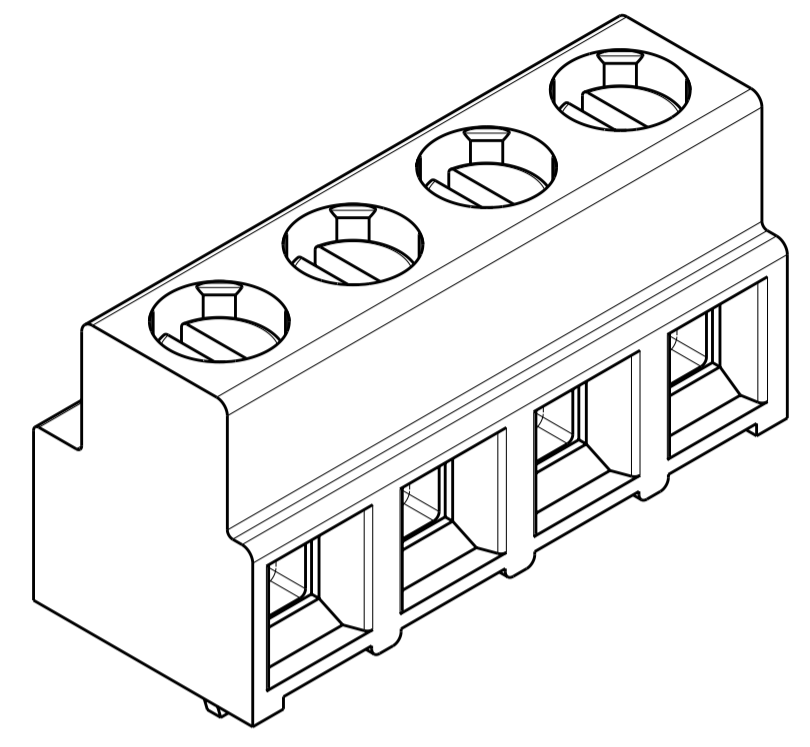
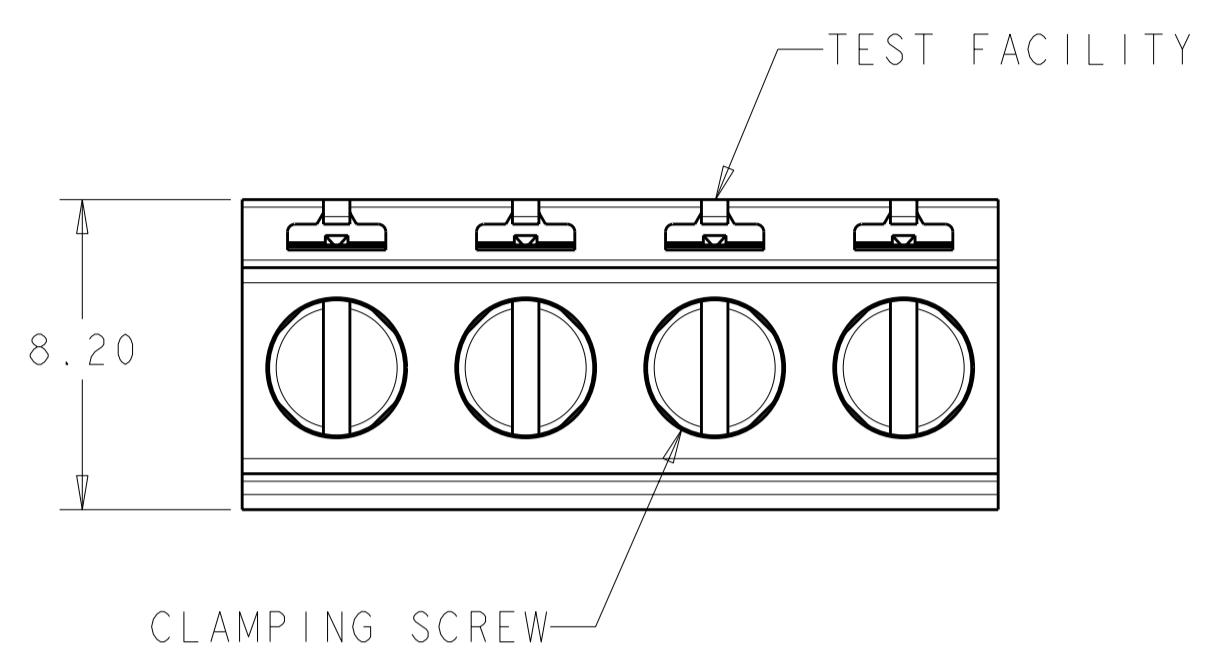
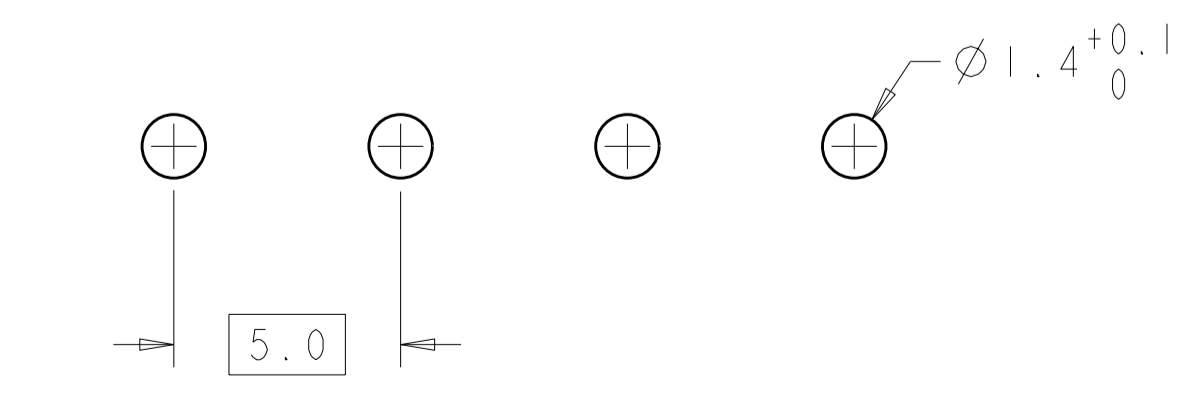
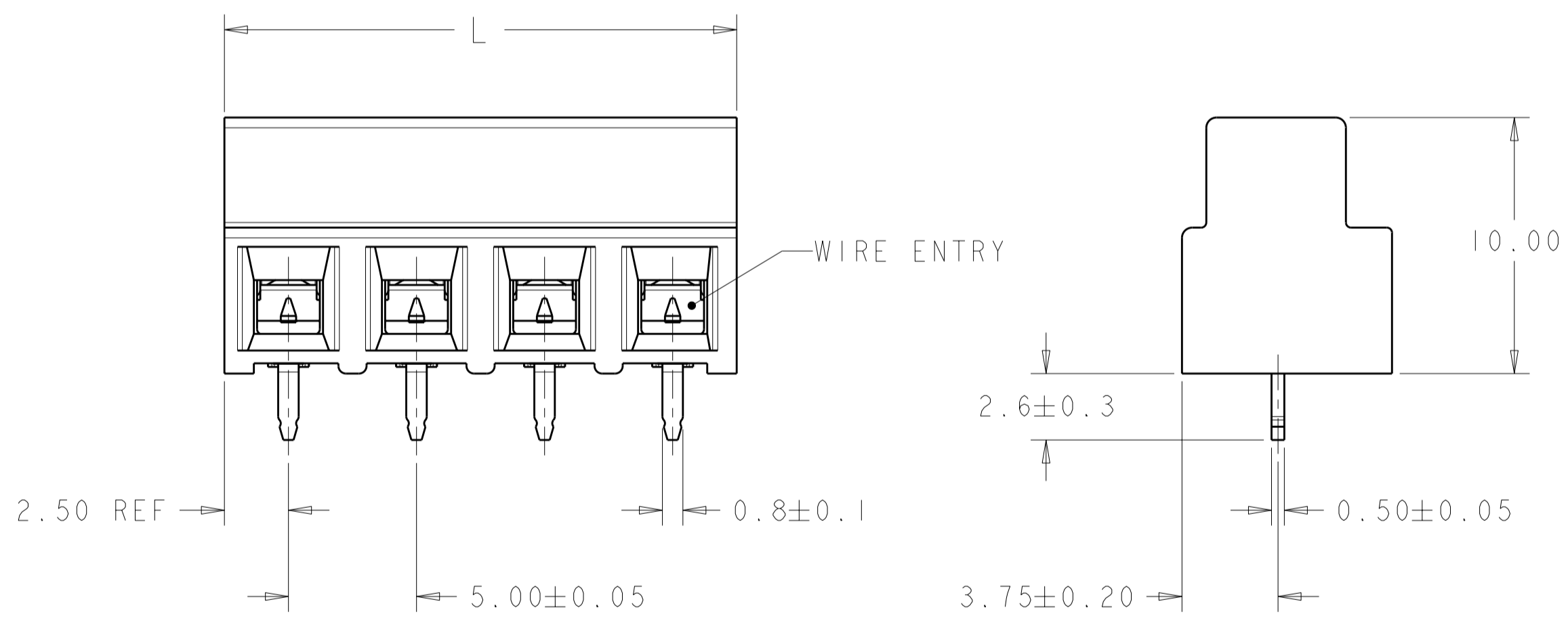


THIS DRAWING IS UNPUBLISHED. RELEASED FOR PUBLICATION 20  
 © COPYRIGHT 20 BY TYCO ELECTRONICS CORPORATION. ALL RIGHTS RESERVED.

LOC		DIST		REVISIONS			
P	LTR	DESCRIPTION	DATE	DWN	APVD		
FT	0	B3	REVISD PER ECO-10-004711	05MAR2010	HMR	CR	



1776895-4 AS SHOWN



RECOMMENDED PC BOARD LAYOUT

- 1. MATERIAL AND FINISH  
 HOUSING: HIGH TEMPERATURE POLYAMIDE, UL 94V-0 RATED,  
 COLOR: BLACK  
 CLAMP: BRASS, NICKEL PLATED.  
 TERMINAL: BRASS, TIN PLATED.  
 CLAMPING SCREW: M3, BRASS, NICKEL PLATED.
- 2. END-TO-END STACKABLE WITHOUT LOSS OF CENTERLINE SPACING.
- 3. WIRE SIZE RANGE: 16-30 AWG, SOLID OR STRANDED.
- 4. TAPE AND REEL PACKAGED.
- 5. 24mm KAPTON DOT APPLIED TO PART

MATERIAL	QUANTITY	NO OF POSN	PART NUMBER
PRELIMINARY PLASTIC	40.0	8	2-1776895-8
5 CORUGATED PAPER	40.0	8	1-1776895-8
CORUGATED PAPER	40.0	8	1776895-8
CORUGATED PAPER	35.0	7	19776895-7
CORUGATED PAPER	20.0	4	1776895-4
CORUGATED PAPER	15.0	3	1776895-3
REEL MATERIAL	A	NO OF POSN	PART NUMBER

THIS DRAWING IS A CONTROLLED DOCUMENT FOR TYCO ELECTRONICS CORPORATION. IT IS SUBJECT TO CHANGE AND THE CONTROLLING ENGINEERING ORGANIZATION SHOULD BE CONTACTED FOR THE LATEST REVISION.		DWN S. WELDON 06OCT2006	Tyco Electronics Harrisburg, PA 17105-3608	
DIMENSIONS: mm		CHK C. RICHARD 06OCT2006	NAME TERMINAL BLOCK ASSEMBLY, PCB MOUNT, STACKING, SIDE WIRE ENTRY, WITH INTERLOCK, 5.00mm PITCH	
TOLERANCES UNLESS OTHERWISE SPECIFIED: 0 PLC ±.2 1 PLC ±.15 2 PLC ±.15 3 PLC ±0.000 4 PLC ±0.000 ANGLES ±2° FINISH		APVD C. RICHARD 06OCT2006	RESTRICTED TO	
MATERIAL		PRODUCT SPEC	SIZE A2	CAGE CODE 00779
		APPLICATION SPEC	DRAWING NO 1776895	REV B3
		WEIGHT	SCALE 5:1	SHEET 1 OF 1
		CUSTOMER DRAWING		